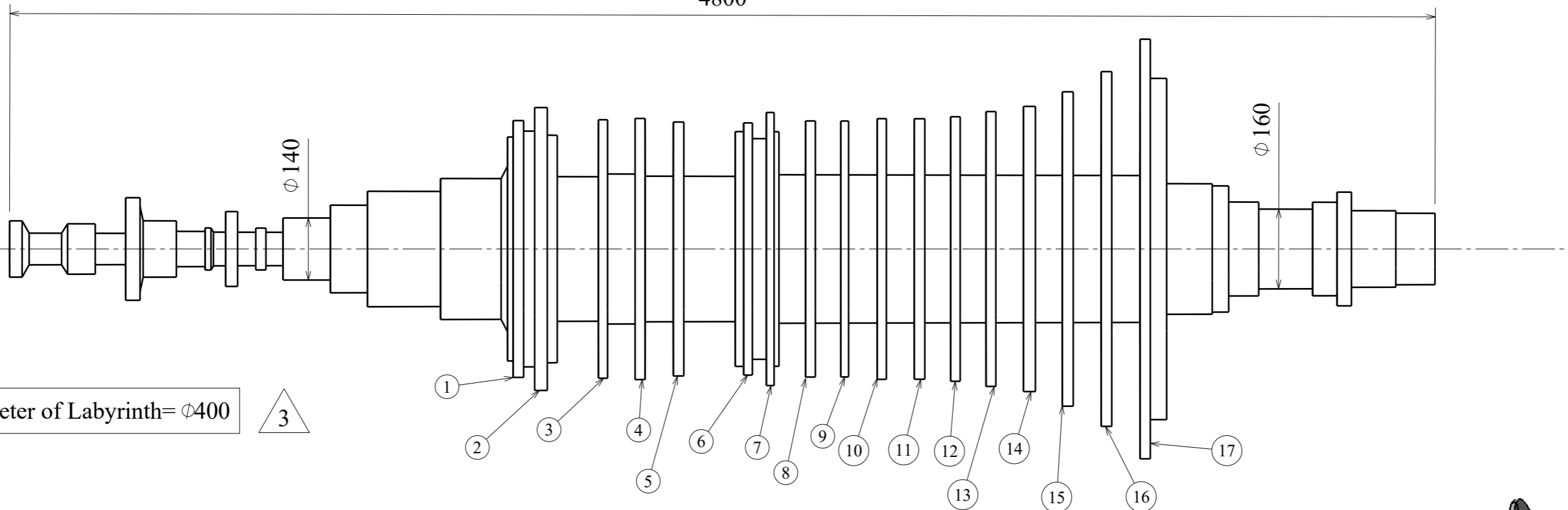
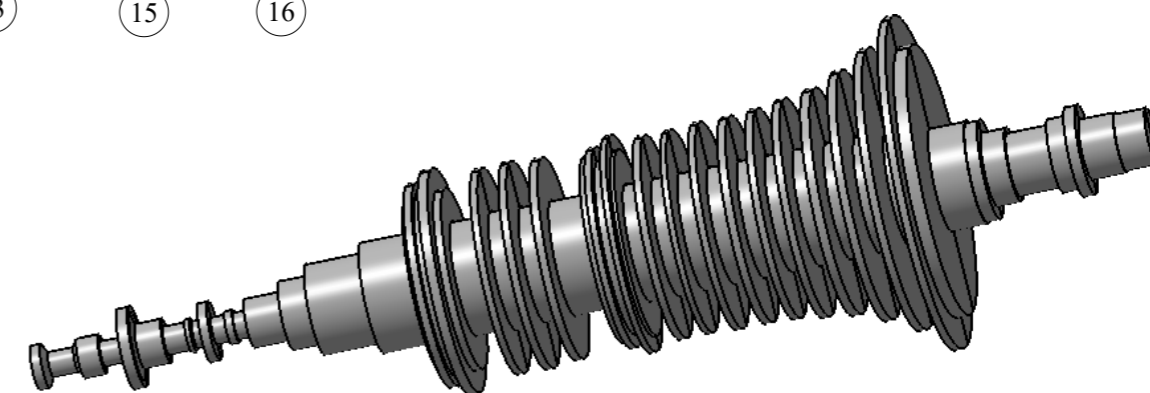


4800



Maximum Diameter of Labyrinth=  $\phi 400$

3



Scale: 1:2

5

1

4

Stage	Blade QTY	Blade Dimensions (length*width* height) (mm)	Rotor Disk Dia. (mm)	Blade Root Joint	Shroud Thickness. (mm)
1	232	23*15*57	870	T- shape	4
2	202	23*17*75	870	T- shape	4
3	186	23*17*60	850	T- shape	4
4	229	23*15*65	850	T- shape	4
5	192	23*17*60	850	T- shape	4
6	229	23*15*75	880	T- shape	4
7	204	29*17*85	880	T- shape	4
8	190	23*17*70	850	T- shape	4
9	203	23*17*75	860	T- shape	4
10	204	23*17*80	870	T- shape	4
11	197	23*17*90	900	T- shape	4
12	160	28*23*105	940	T- shape	5
13	170	28*23*110	960	T- shape	5
14	170	28*32*140	980	T- shape	-
15	102	35*38*180	1060	T- shape	-
16	92	41*40*210	1140	T- shape	-
17	80	84*45*260	1240	dovetail joint	-

Blades material: SS 410  
Shaft material: AISI 4140



2

The drawing is only for price inquiry and not for construction.

REV.01

1	added
2	added
3	added
4	added
5	Revised

For Prototype  
Eng. Dep.

 NATIONAL IRANIAN OIL COMPANY TABRIZ OIL REFINING CO.			
Rotor For TTG-2101 & 2			
General Tolerances: DIN ISO 2768-fH Cham.=1x45°		Surfaces	Type
NO CONSTRUCTION PERMITTED UNLESS DWG. APPROVED			
DWN.	R.Hazratian	EN.CH.	SCALE: 1:1
DW. CH.	A. Shafiei	APP'D.	M.Amani
DES.		DATE	01.08.15
		MAT.: Hardness:	SCALE: 1:1
		M.E.S.C: 16.73.65.002.3	DWG.NO. TZ-1D-21-301988
		Part NO.	Sheet: 1 of 1
			REV.1
			A3